

WVG2X

3-Axis Wearable Gimbal for Action Camera

— Instructions —

Guilin Feiyu Technology Incorporated Company

User Manual EN V1.0

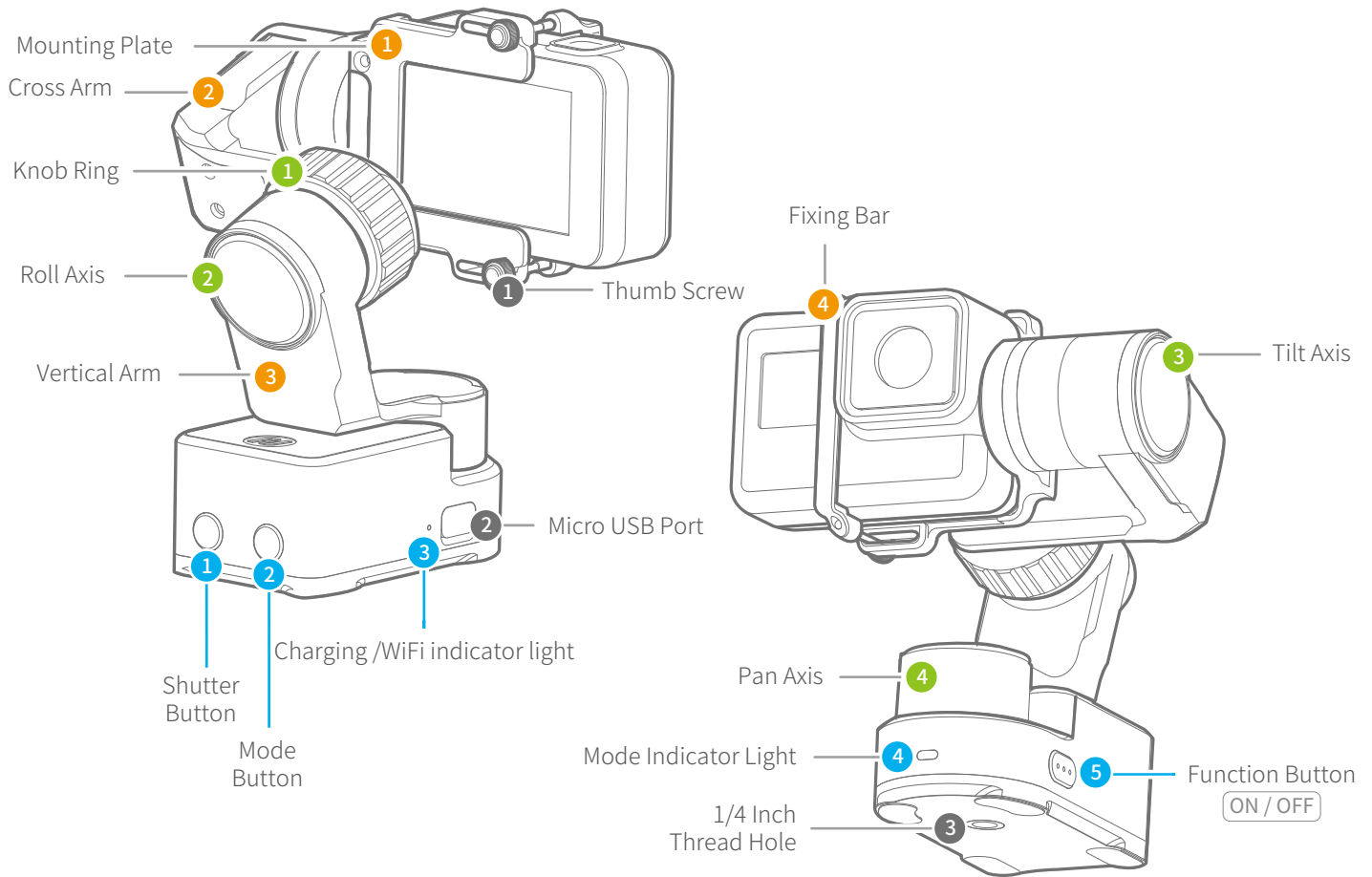
Catalogue

www.feiyu-tech.com

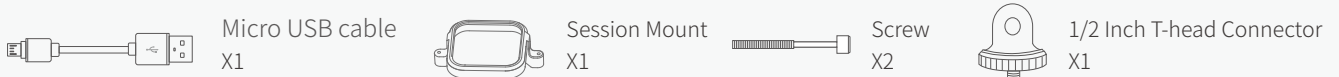
WG2X

1. WG2X Overview	1
2. Quick Start Guide	3
3. Function operation	4
Working Mode	4
Function Button - operation	4
Mode Button - operation	5
Shutter Button - operation	5
4. Advanced Operation	5
Manual Lock	5
Auto-rotation Mode	6
App - Download and Connecting	7
Connect the camera	8
Firmware Upgrade	8
Gimbal Initialization	9
5. Parameters	10

1. WG2X Overview



Accessories



Introduction of interface and screws

① Thumb Screw

To fix the camera

② Micro USB Port

(1) It is used for charging the gimbal (input 5V / 2A), the gimbal can be used while being charged, but it is not available for external power supply.

(2) It used for firmware upgrade (computer), please refer to the firmware upgrade operation steps for details.

Please stuff up this port by the dustproof plug when it is not in use.

③ 1/4-20 Thread Mount

It is used for other accessories expansion, such as 1/4 inch screw tripod, extension bar and so on.

Introduction of Display and Buttons

1 Shutter Button

Single click Photo Capturing / Video Recording

2 Mode Button

Long time press Turn on / Turn off the WiFi
Single click Photo Mode / Recording Mode

Triple click Reset

3 Charging /WiFi indicator light

It has the highest priority during charging, the red light is always on when it is not fully charged, and the green light is always on when it is fully charged. When it is not being charged, turn on the WiFi and the blue light blinks, turn off the WiFi and there is no display. The green light blinks when controlling the camera for recording

4 Mode Indicator Light

Power on Green indicator light is constantly on

Power off Red Indicator light is constantly on from flashing

Panning Mode Blue light flashes once
Follow Mode Blue light flashes twice
Lock Mode / Initialization Blue light constant on
Initialization failure / Error Blue light keeps flashing

Low battery Blue light flashes for three times every 5 seconds

5 Function Button

Long time press Power on / Power off
Single click Panning Mode / Lock Mode
Double click Follow Mode
Triple click Rotate 180° in horizontal
*When the gimbal is in lock mode, triple click the function button can not be rotated 180° in horizontal
Four click Auto-rotation Mode
Five click Initialization

Introduction of Axis and Knob

1 Knob Ring

It is used for fixing the cross arm.

2 Roll axis

Take the camera lens as the base point, and control the lens to tilt to the left or tilt to the right by roll axis.

3 Tilt Axis

Take the camera lens as the base point, and control the lens to move up or down by tilt axis.

4 Pan Axis

Take the camera lens as the base point, and control the lens to turn left or turn right by pan axis.

Introduction of Other Components

1 Mounting Plate

It is used for fixing the camera.

2 Cross arm

It is used for adjusting the gravity center position of roll axis.

3 Vertical arm

It is used for adjusting gravity center position of pan axis.

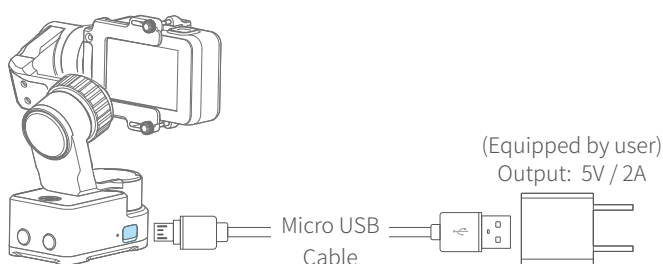
2. Quick Start Guide

1 Charging

TIPS

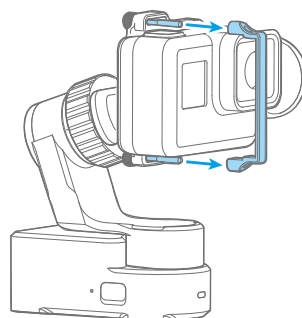
Please fully charge the battery before power on the gimbal for the first time.

Charging with Micro USB cable as shown below.

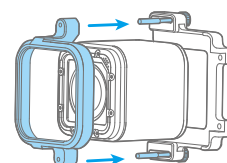


2 Mount the Camera

Put the camera on mounting plate, then tighten the camera with retainer bar (or session mount) and screw.



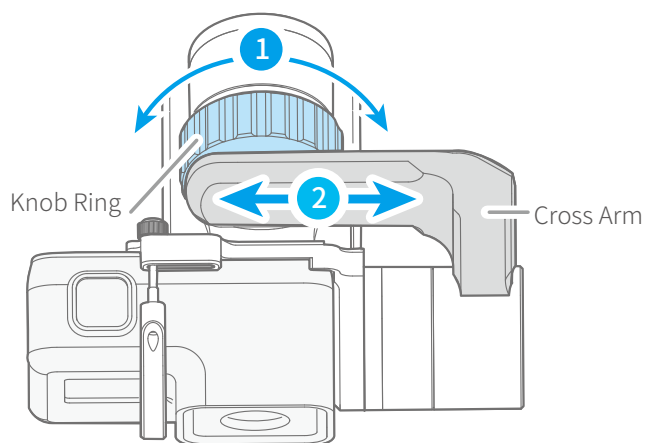
Use fixing bar to install



Use session holder to install

3 Balance the Gimbal (Before power on)

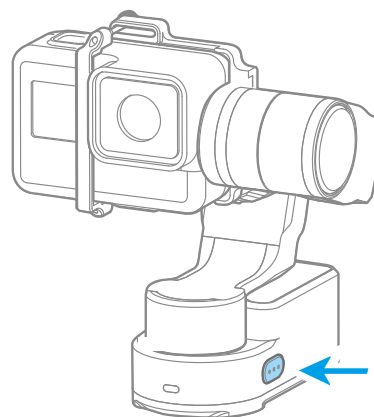
Loosen the knob ring, move and adjust the position of cross arm, tight the knob ring after the gimbal is in balanced status. Then turn on the gimbal.



4 Power on / off

Power on: long time press function button until the green light is on.

Power off: long time press function button until the red light changes from quick flashing to always on.



3. Operation

Working Mode

Panning Mode (Default mode)

The roll and tilt direction are fixed, and the camera moves according to the left-right movements of the user's hand.

Follow Mode

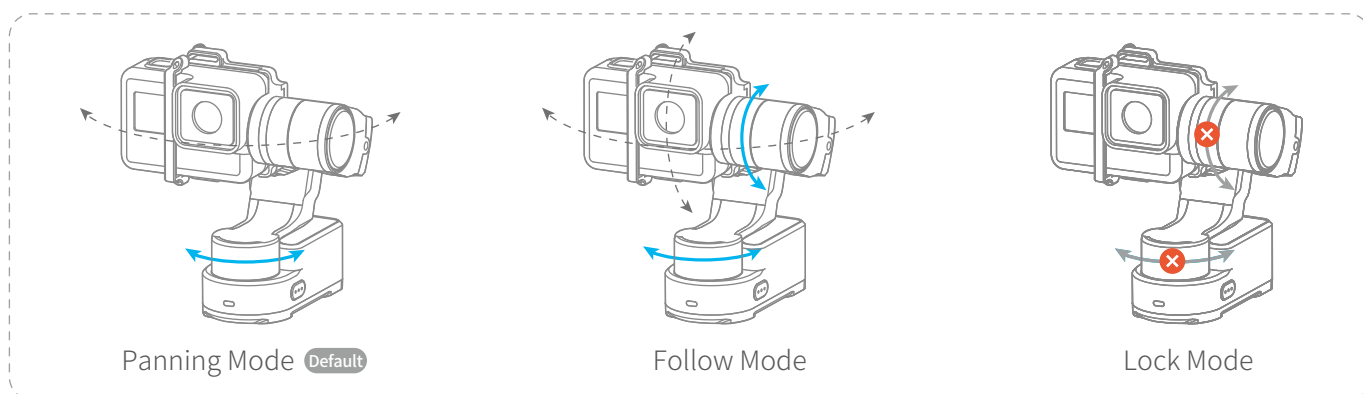
The roll direction is fixed, and the camera moves according to the left-right movements, up-down movements of the user's hand.

Lock Mode

The orientation of the camera is fixed.

Reset

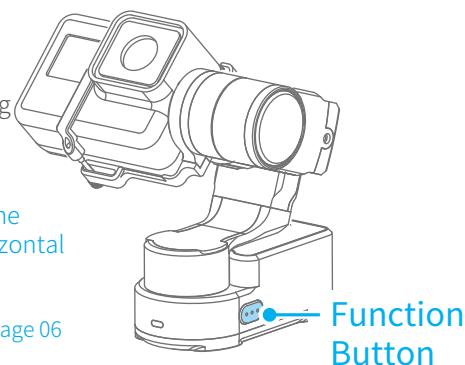
Return to panning mode, three axes return to default position.



Function Button - operation

Note: The firmware upgrade may occur manual operation function and the actual product features do not match. Please find the latest manual on the official website.

Single click	Panning Mode / Lock Mode	Single click to switch between panning mode and lock mode
Double click	Follow mode	Under all follow, single click to switch to locking mode
Triple click	Rotate 180° in horizontal	Make the lens rotate 180° *When the gimbal is in lock mode, triple click the function button can not be rotated 180° in horizontal
Four click	Auto-rotation Mode	Enter auto-rotation mode Please refer to the chapter "Auto-rotation Mode" in page 06
Five click	Initialization	Enter initialization Please refer to the chapter "Gimbal Initialization" in page 09

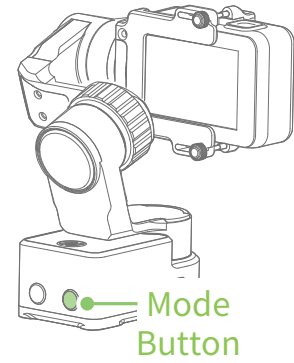


Mode Button - operation

Long time press Turn on / Turn off the WiFi

Single click Photo Mode / Recording Mode

Triple click Reset



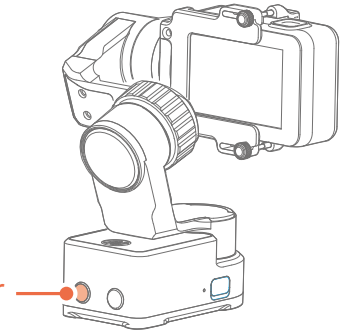
Shutter Button - operation

After connecting the gimbal to camera via Feiyu On App, single click it to control the recording of the camera.

Single click Capturing / Start recording / Stop recording

Please refer to the chapter "Connecting to camera" in page 08

Shutter Button



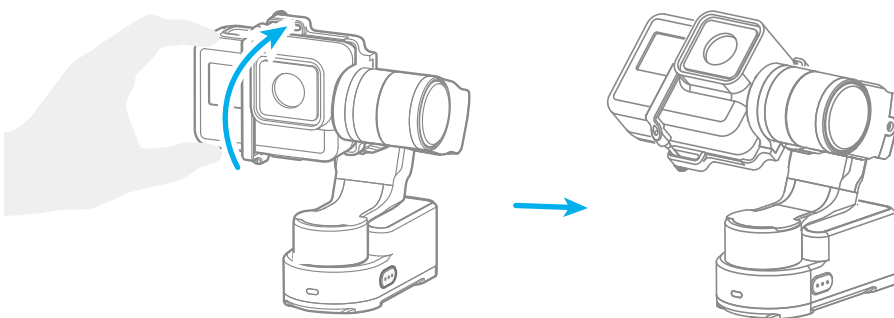
4. Advanced Operation

Manual Lock

Camera can be manually positioned while in panning mode ,follow mode or lock mode. Both the pan axis and tilt axis can be manually set up.

Manually move camera to desired position,and hold for half a second. New tilt and/or pan positions are automatically saved.

Take the tilt axis setting for example:



Auto-rotation Mode

*When the gimbal is placed in front, it cannot enter the auto-rotation mode.

The WG2X gimbal can easily create constant speed movements in the auto-rotation mode. This mode can be used for recording both regular video and motion time-lapse photography. For better performance, please equip with FeiyuTech tripod or other tripod.

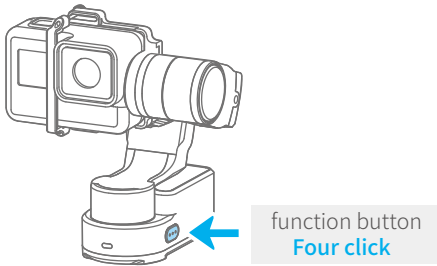
Set rotation speed in Feiyu ON App

Both the pan and tilt directions can be rotated.

Connect to the Feiyu ON App and select speed from the auto-rotation mode rate option in the settings menu.

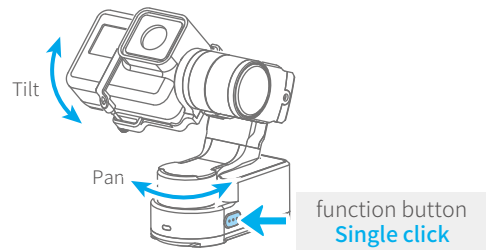
WG2X Rotation Speed												
12s/round	18s/round	24s/round	30s/round	1min/round	2min/round	4min/round	8min/round	15min/round	30min/round	1h/round (Default)	4h/round	8h/round

(1) Enter auto-rotation mode



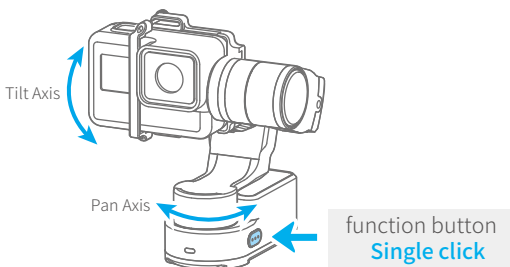
(2) Set rotation start position

Record the first position (rotation start position) by manually moving camera to desired position. Hold in position for half a second. Single tap the function button to record rotation start position.



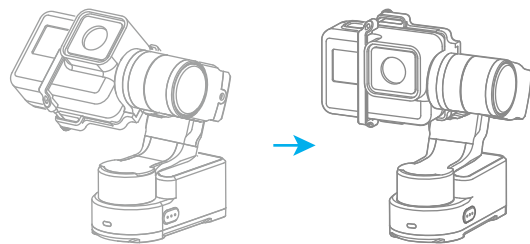
(3) Set rotation end position

Record the second position (rotation end position) by manually moving camera to desired position. Hold in position for half a second. Single tap the function button to record rotation end position.



(4) Start auto rotation movements

The gimbal automatically restores to the start position, while the tilt axis and pan axis start rotating at a constant speed according to pre-set speed to end position, repeat step (2) (3) to start again.



Exit → Triple click Mode Button → Exit the auto-rotation mode and reset

App - Download and Connecting

* Requires iOS 9.0 or later, Android 5.0 or later

Download and Install [Feiyu ON](#) App.

(1) iOS Version



(2) Android Version



Or search and download the "Feiyu ON" App on the following application platform:



App Store



Google play

Connecting App

Turn on the Bluetooth and run the App on smartphone, follow on the instructions to connect smartphone to gimbal via bluetooth.



1



2



3

Connecting to Camera

WG2X gimbal can connect to the camera by Feiyu ON App.

Operations available after connecting to the camera:

Mode Button	Single click	Single click to switch between the photo mode and video mode
Shutter Button	Single click	Capturing / Start recording / Stop recording

Steps of connecting to camera:

- (1) Turn on your recording camera's WiFi (2.4GHz)
- (2) Select "WiFi Settings" options or successively select "Settings" -- "Parameters Settings" --"WiFi Settings" on Feiyu ON App
- (3) Select camera model
- (4) Select your camera connection name and enter the correct connection password of your camera
- (5) Waiting for connecting
- (6) Connect successfully

If connection fails, try to restart gimbal or camera, or reconnect according to above steps.

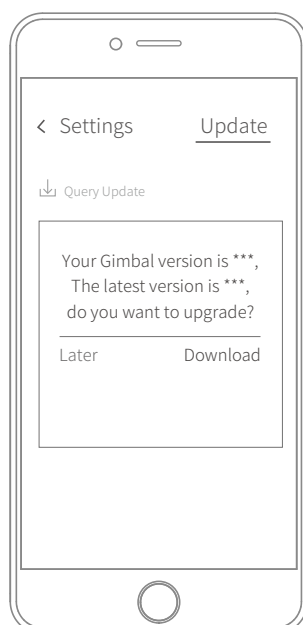
If the WiFi is not connected for a long time, please restart the camera's WiFi.

Firmware Upgrade

Upgrade firmware via App



Feiyu ON

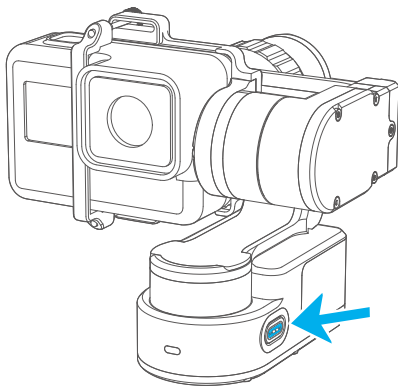


Gimbal Initialization

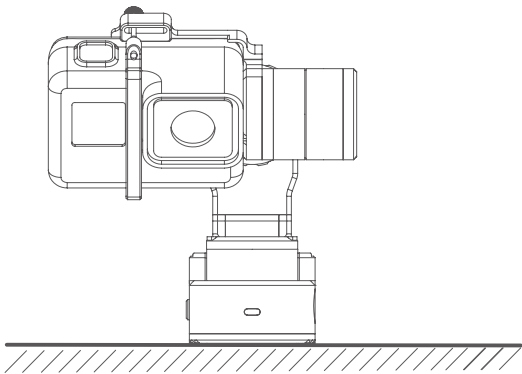
You can initialize your gimbal when:

- (1) camera is not balance
- (2) If not use for a long period of time
- (3) In case of extreme temperature variations

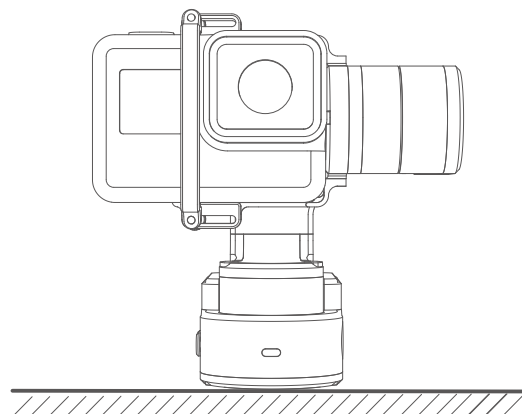
Adjusting Steps



- 1 Click the function button for 5 consecutive times, and the motor will stop working.



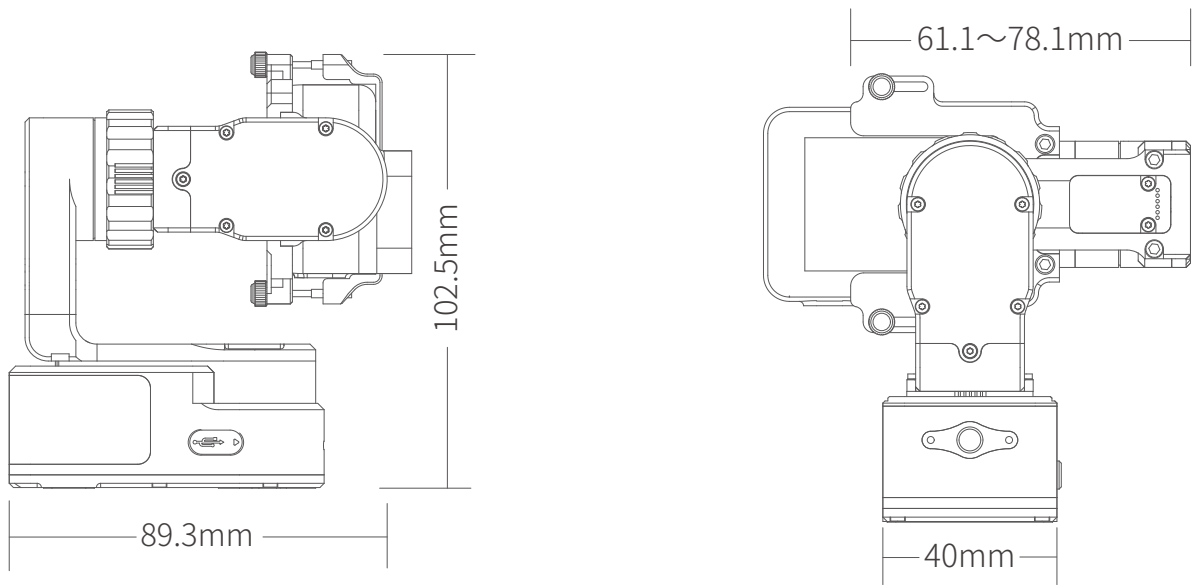
- 2 Place the gimbal on the table unmoved, and the gimbal automatically detect whether or not it is placed on a static flat surface, and then its initializing will start automatically.



- 3 After the initialization is successful, the motor will automatically start working.

Note: if the initialization is not successful, long time press the function button to turn off the gimbal, restart initialization process.

5. Specifications



Parameters

Product Name	WG2X 3-Axis Wearable Gimbal for Action Camera
Tilt Axis Mechanical Movement Range	360°
Roll Axis Mechanical Movement Range	310° (Structure range) 70° (Limit angle after camera mounted)
Pan Axis Mechanical Movement Range	360°
Operation Time	2.5Hours
Weight	238 g (Not including the action camera)
Payload	130g (In balanced status)
Compatible Camera	Compatible with GoPro HERO6 / GoPro HERO5 / GoPro HERO4 / Session and cameras with similar dimensions

Guilin Feiyu Technology Incorporated Company

Website: www.feiyu-tech.com

E-mail: service@feiyu-tech.com

Tel: +86(0)773 2320865

Due to software and hardware improvements, your actual product might differ from the descriptions and pictures in this user manual. You can get the latest user manual from the official website.

For more information, please visit our official website



DISCLAIMER

Prohibit any user for any illegal purpose. Users will be responsible for all behaviors of purchase and use products.

The Company assumes no liability for any risks related to or resulting from the debug and use of this product (including the direct, indirect or third-party losses).

For any unknown sources of using, we will not be at any services.

The updating and changes of product firmware and program may cause changes in function descriptions in this user manual, please read the instructions carefully before upgrading the firmware and use the corresponding user manual.

You can get the latest user manual from the official website: www.feiyu-tech.com

FeiyuTech reserves the right to amend this manual and the terms and conditions of use the gimbal at any time.